



**Sliding Door SelfLatch® and SelfCloser® System**

**SelfCloser positioning <sup>A</sup>**

The SelfCloser system can be concealed horizontally inside the top door rail for architectural profiles (35-40mm door thickness). For residential profiles (30mm thick), it is concealed in a vertical duct added to the door frame, accessible for adjustment and servicing. SelfCloser mechanisms are totally concealed for safety and aesthetics.

**SelfLatch positioning <sup>B</sup>**

Swish SelfLatch for sliding doors is concealed in the leading door-stile, with the latch knob at the regulatory 1500mm above floor level. The latch is operable from both sides of the door.

**Door size and weight constraints guide**

Swish SelfCloser and SelfLatch systems can be readily installed on most residential and commercial door profiles within the following general guidelines:

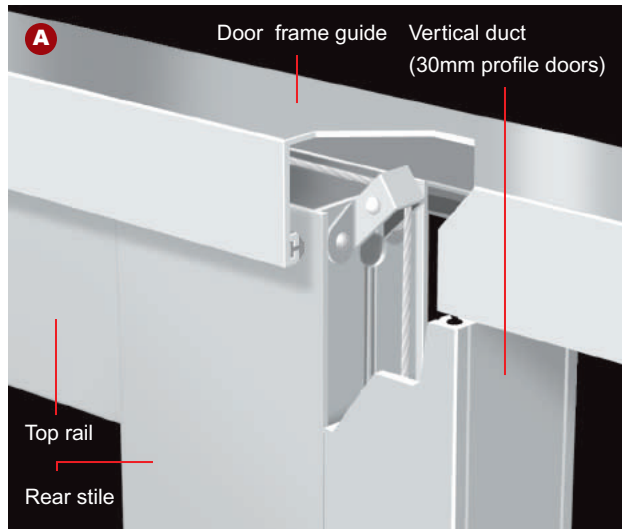
**Residential joinery**

(30mm door profile edge):  
Single-glazed  
Vertical duct SelfCloser  
Up to 1200mmW x 2000mmH  
Panel weight up to 60kg

**Architectural Joinery**

(35-40mm door profile edge):  
Single or double-glazed  
Horizontal rail SelfCloser  
Up to 1500mmW x 2400mmH  
Panel weight up to 120kg

Slide panels weighing 140kg have been successfully operated by the SelfCloser. Consult Swish Automation for special solutions for larger or heavier slide door panels.



**Componentry**

Stainless steel fittings are used where possible for corrosion resistance, durability, smooth operation and stylish appearance.

**Pool safety compliance**

The Fencing of Swimming Pools Act 1987 requires that pool area access doors and gates are fitted with a self-closing, self-latching function.

**Note:** Swish SelfCloser and SelfLatch systems are designed to comply with NZS 8500-2006: clauses 2.3.2, 3.7 and 4.6. Until the Standard is incorporated into legislation, pre-approval by territorial authorities for an exemption under the Act must be sought before ordering the system.

Because of the uniqueness of individual pool area environments, consult Swish Automation to discuss specific requirements at the planning stage, prior to permit application.

